

EC BACKWARD CENTRIFUGAL FAN

EC BACKWARD CENTRIFUGAL FAN



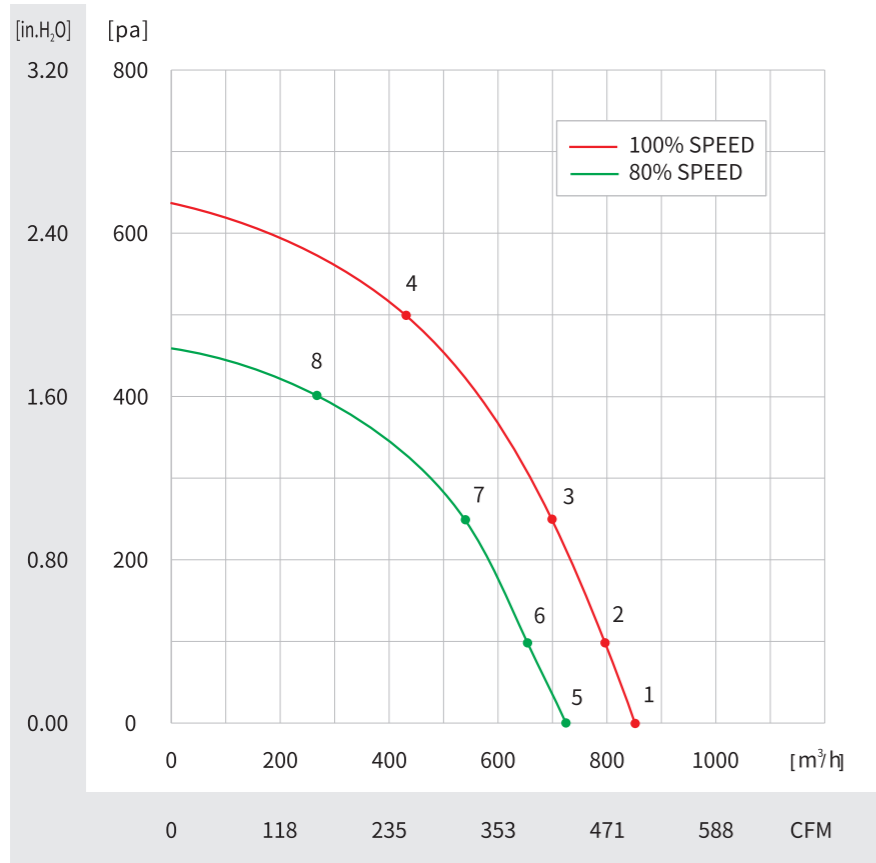
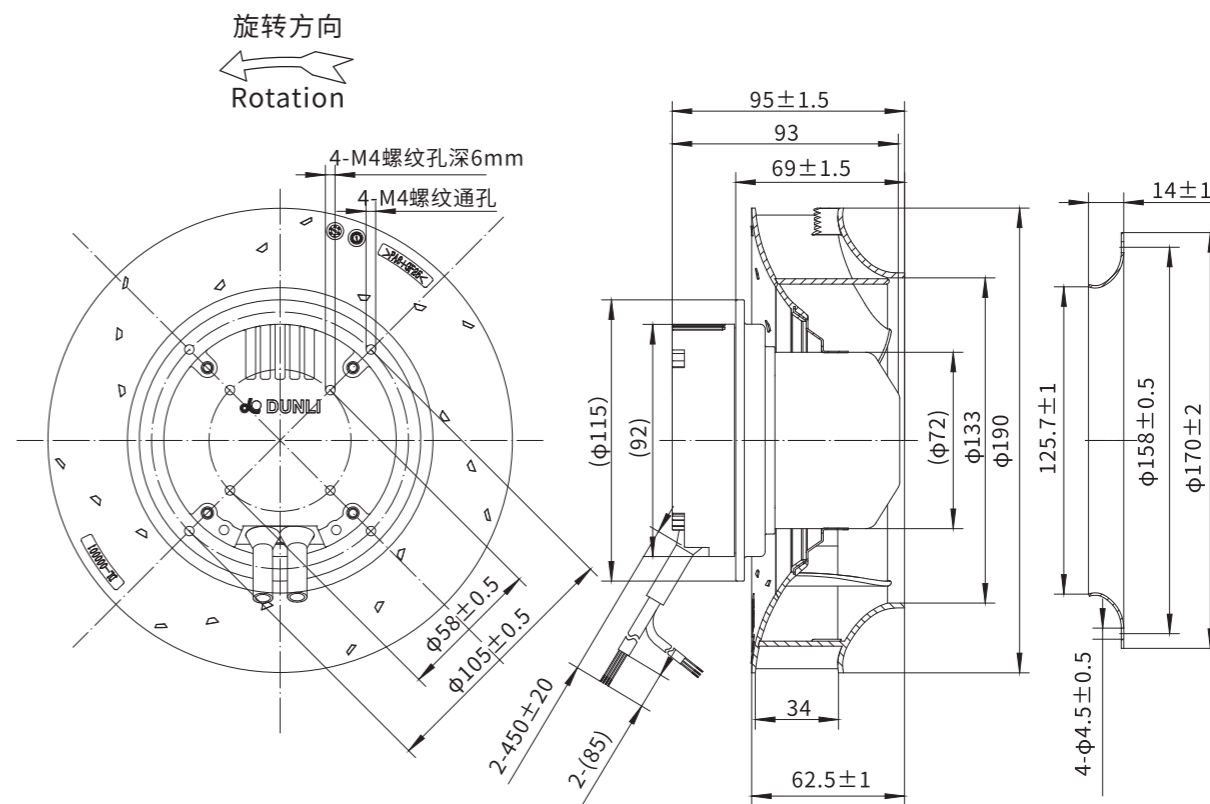
ErP2015  
EXCEEDS THE NORM  
EC72-B190

防护等级 (Level of protection): IP44

绝缘等级 (Insulation class): B

产品认证 (Approval): CE、CCC

型号 Model	额定电压 Rated Voltage	频率 Frequency	转速 Speed	输入功率 Input Power	电流 Current	噪音 Noise	使用温度 Applicable Temp
	VAC	Hz	RPM	W	A	dB	°C
EC72-B190	220/230	50/60	3570	105	0.87	78	-20~+60



No.	转速 Speed	输入功率 Input Power
	[RPM]	[W]
1	3579	107.9
2	3576	117.9
3	3578	122.7
4	3577	126.6
5	3055	70.0
6	3046	78.1
7	3048	83.2
8	3050	78.3

